

Conector Industrial RJ49 Cat. 6A tooless S/FTP 90°



Description

The Cat. 6A Premium RJ45 is a highlight in the chain of further development of RJ45 connectors for field assembly. An extraordinarily robust full metal housing made of zinc die-casting paired with the unique variable cable feed opens up a wide range of application possibilities. Installation can be done in **9 different positions**: 8 different angled positions and a 180° straight cable entry. The conical metal cable gland allows cable diameters from 6.0mm to 9.0mm. The connector meets the requirements of transmission class Cat. 6A/Class EA and supports the Ethernet protocol up to **10 Gigabit** per second.

General data

Category	6A (IEC)
Model	jack (jack)
Connection type	IDC
Type of connector	RJ45 8(8)
Screened	True
AWG-range for litz wire conductor	22 - 27
AWG-range	22 - 26
Special tool necessary	No
Suitable for round cable	yes
Suitable for flat cable	No
Suitable for litz wire conductor	yes
Suitable for solid core	yes

Ideal Technology has a policy of continuous improvement. Specifications are subject to change without notice.

General data

Housing material	Zinc alloy
Complaint to UL94	V-0

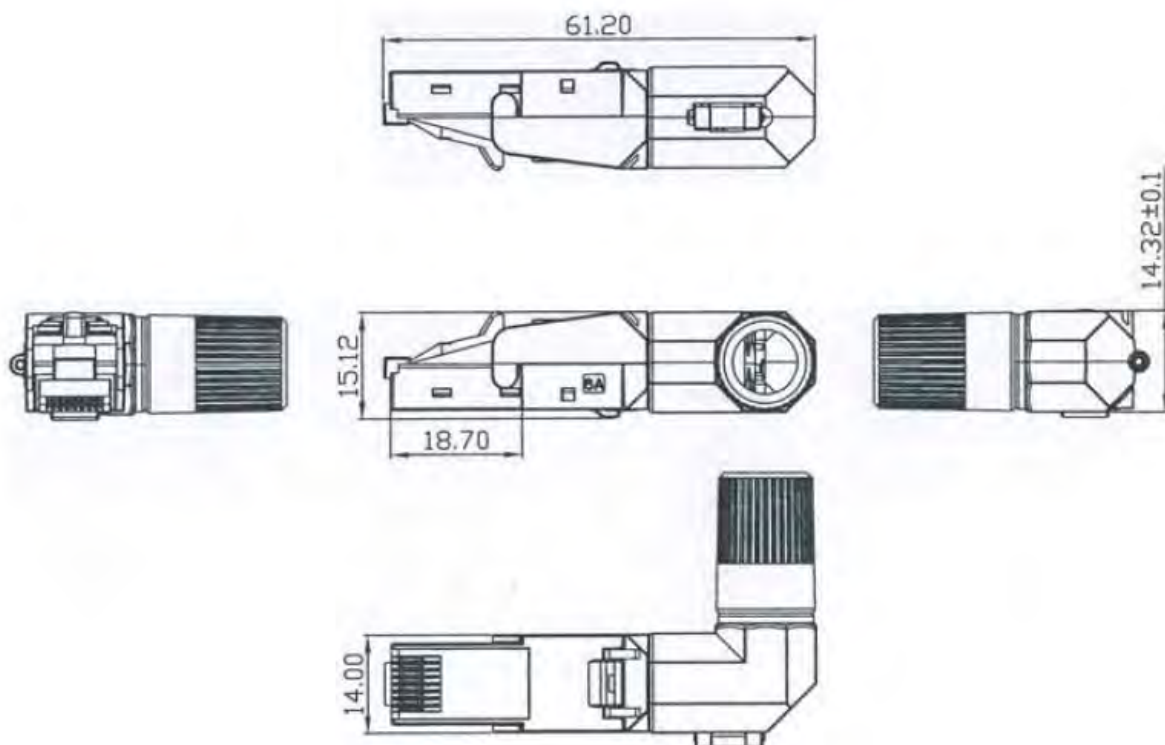
Mechanical characteristics

Max. cable diameter	9.0 mm
Mating cycles	750
Contact coating	50 μ "

Electrical characteristics

Dielectric Withstanding Voltage	1000 V DC
Current Rating	1,5 A
Insulation Resistance	500 M Ω
Contact Resistance	20 m Ω
4PPOE certified	yes

Technical drawings



Ideal Technology has a policy of continuous improvement. Specifications are subject to change without notice.