

REV	DESCRIPTION OF REVISION	ECN No.	BY	DATE
Rv01	N/A	N/A	J.Tena	2013/5/19

# TECHNICAL DATA

## Electrical data

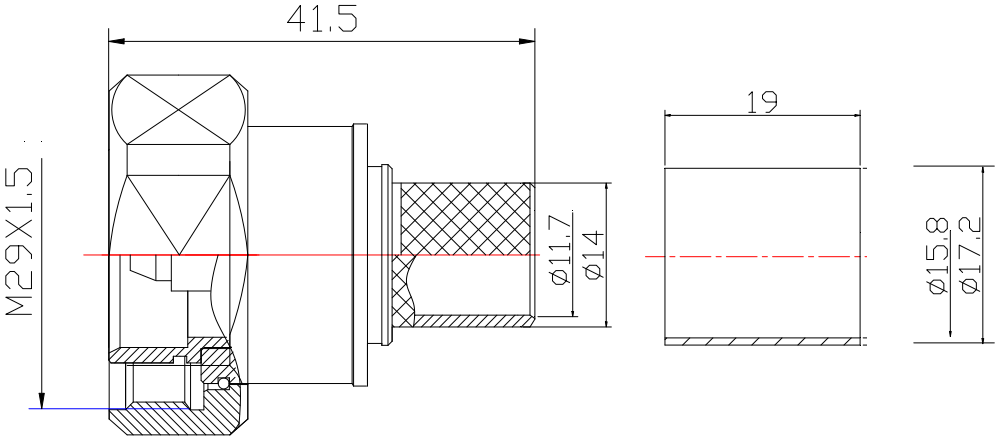
Impedance	50Ω
Frequency range	0~6GHz
Withstand Voltage	4000V rms
Working Voltage	2700V
VSWR	≤ 1.2
Contact resistance	
-center contact	≤5mΩ
-outer contact	≤5mΩ
Insulation resistance	≥10000MΩ

## Mechanical data

Temperature range	-55°C~+155°C
Durability(matings)	>500

## Material data

Piece Part	Base Material	Plating
Body	Brass	Tri-Metal plated
Center conductor	Brass	Silver plated
Crimping suite	Copper alloy	Nickel plated
Insulator	PTFE	



## Interface Standards

IEC 60169-16 /MIL-C-39012/CECC22210



DIN male

NOTES:

- 1.ALL SPECIFICATIONS ARE SUBJECT TO CHANGE WITH NOTICE AT ANY TIME
- 2.CUSTOMER OUTLINE DRAWING FOR REFERENCE ONLY

Part Name:				
DIN male for LMR600				
CN1137R	SIZE: A4	SCALE: 4:1	SHEET: 1/1	