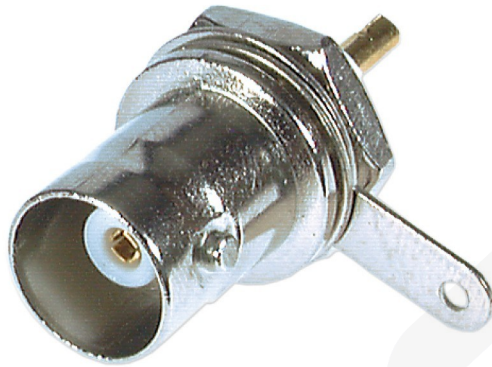


Conector BNC H chasis soldar RG58



General data

BNC Receptacle
print- and solder type

Allgemeine Daten

Type of connector	BNC
Model	jack
Connection type	Solder/solder

Mechanische Eigenschaften

Elbow plug	False
Housing material	Brass nickel-plated

Elektrische Eigenschaften

Contact type	female
Contact material	Brass gold-plated

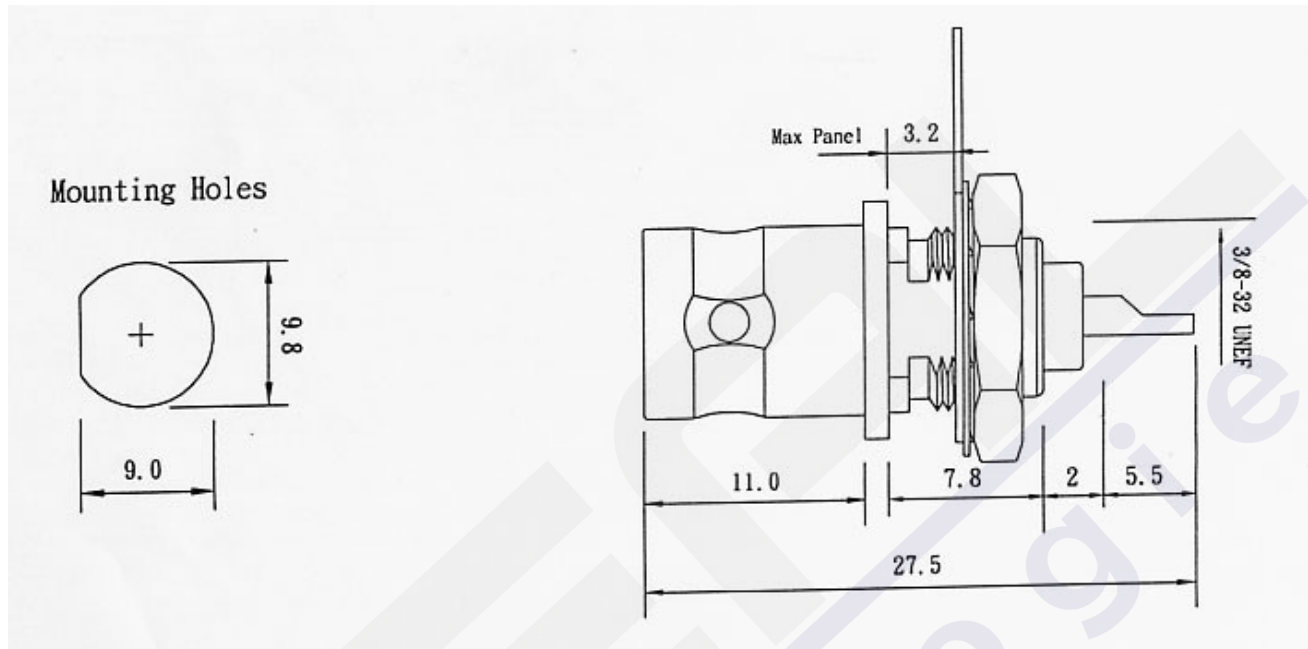
Available variants

ArtNr.	Bezeichnung	Impedance	Insulated mounting
52574.1	BNC Receptacle solder type 50 Ohm	50 Ohm	False

Drawings

Ideal Technology has a policy of continuous improvement. Specifications are subject to change without notice.

Conector BNC H chasis soldar RG58



Ideal Technology has a policy of continuous improvement. Specifications are subject to change without notice.