



Description

- For AWG 24-26
- Punched contacts

General data

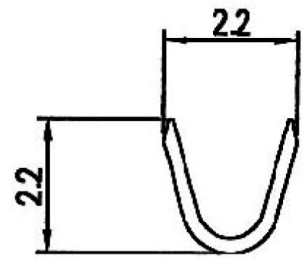
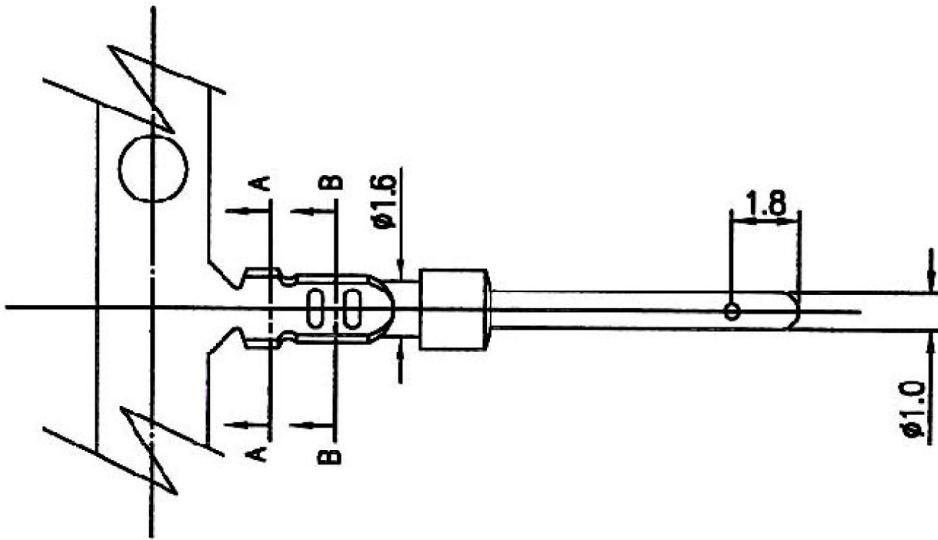
Model	jack (jack)
-------	-------------

Electrical characteristics

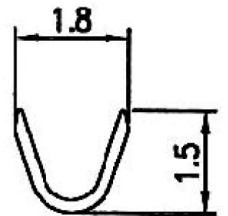
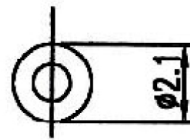
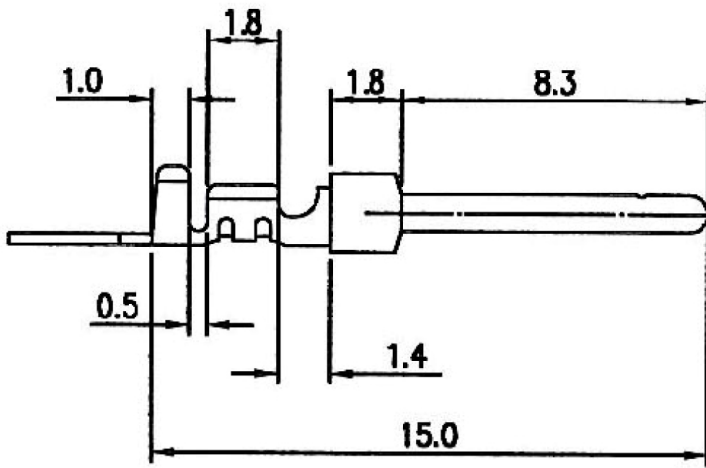
Contact type	male (male)
Connection type	crimp

Available variants

Article no.	Title	Type
34614.1	Contacto sub D M (pin estampado) tiras de 100 uds.	Crimpcontacts E-CRIS/28/100/B 100er-bag



A-A SECTION



B-B SECTION