



## Description

Crimp Contacts

## General data

Model | jack (jack)

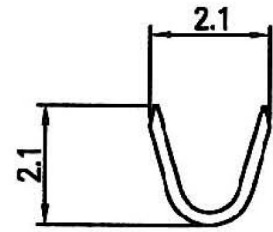
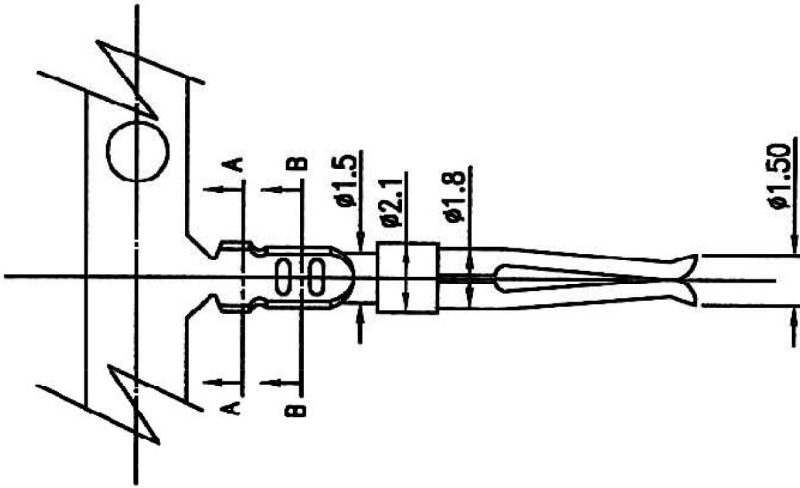
## Electrical characteristics

Contact type | female (female)

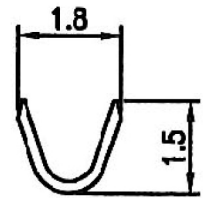
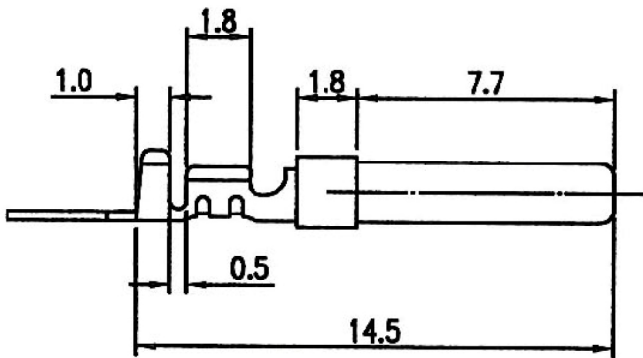
Connection type | crimp

## Available variants

Article no.	Title	Number of poles	Type
34612.1	CONTACTO SUB D H (PIN ESTAMPADO) TIRAS DE 100 UDS		Crimpcontacts E-CRIF/28/100/B 100er- bag



A-A SECTION



B-B SECTION